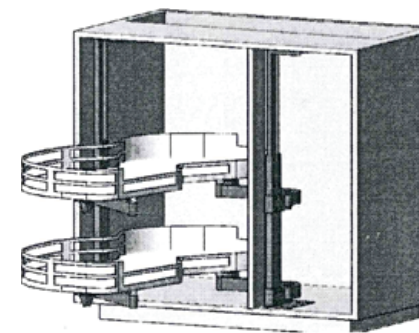


(Left Hand Illustrated)

Blind Corner Swingout Installation Instructions for the BCSO Series



IMPORTANT:

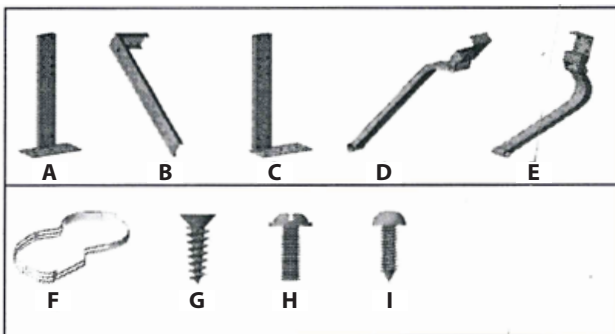
Before you begin, make sure you familiarize yourself with all the parts and fully read the instructions.

CUSTOMER SERVICE:

Toll free customer help line available weekdays between 7:00am and 6:00pm Central Time at 800-463-0660.

TOOLS NECESSARY:

Screw gun, Phillips screwdriver, tape measure, square and torpedo level. NOTE: If screw gun has a clutch, set to lowest setting so as not to over tighten and/or strip screws.

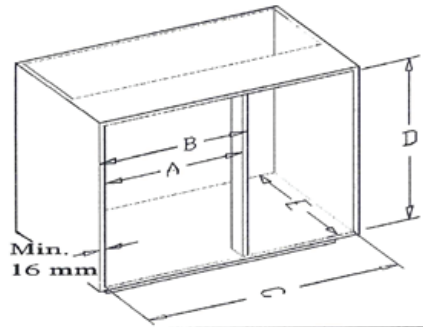


A	Tower Frame	1 X
B	Telescopic Frame Extension	2 X
C	Axial Frame	1 X
D	Tower Arm Hinge Assembly	2 X
E	Axial Arm Hinge Assembly	2 X
F	Swingout Tray	2 X
G	#6 x 3/4" Flat Head Phillips Wood Screw	21 X
H	#10 x 5/8" Washer Head Phillips Machine Screw	16 X
I	#6 x 5/8" Pan Head Phillips Wood Screw	8 X

STEP 1		STEP 2		STEP 3																																	
<p>Attach one of (B) the Telescopic Frame Extensions to the top of (A) the Tower Frame (note the center location of arm on mounting plate) and loosely secure with (2) #10 x 5/8" washer head machine screws.</p>		<p>Install both (D) Tower Arm Hinge Assemblies, to the (A) Tower Frame, as show above with (4) #10 x 5/8" washer head machine screws and tighten securely.</p>		<p>Attach the other (B) Telescopic Frame Extension to the top of (C) the Axial Frame (note the corner location of arm on mounting plate) and loosely secure with (2) #10 x 5/8" washer head machine screws.</p>																																	
STEP 4		STEP 5																																			
				<table border="1"> <thead> <tr> <th></th> <th></th> <th>A Frameless</th> <th>B Faceframe</th> <th>C</th> </tr> </thead> <tbody> <tr> <td rowspan="2">15"</td> <td>inch</td> <td>5/16"</td> <td>3/4"</td> <td>18-1/2"</td> </tr> <tr> <td>mm</td> <td>8</td> <td>19</td> <td>470</td> </tr> <tr> <td rowspan="2">18"</td> <td>inch</td> <td>5/16"</td> <td>3/4"</td> <td>21-1/2"</td> </tr> <tr> <td>mm</td> <td>8</td> <td>19</td> <td>546</td> </tr> <tr> <td rowspan="2">21"</td> <td>inch</td> <td>5/16"</td> <td>3/4"</td> <td>24-1/2"</td> </tr> <tr> <td>mm</td> <td>8</td> <td>19</td> <td>622</td> </tr> </tbody> </table>				A Frameless	B Faceframe	C	15"	inch	5/16"	3/4"	18-1/2"	mm	8	19	470	18"	inch	5/16"	3/4"	21-1/2"	mm	8	19	546	21"	inch	5/16"	3/4"	24-1/2"	mm	8	19	622
		A Frameless	B Faceframe	C																																	
15"	inch	5/16"	3/4"	18-1/2"																																	
	mm	8	19	470																																	
18"	inch	5/16"	3/4"	21-1/2"																																	
	mm	8	19	546																																	
21"	inch	5/16"	3/4"	24-1/2"																																	
	mm	8	19	622																																	
<p>Install both (E) Axial Arm Hinge Assemblies to (C) the Axial Frame as show above with (4) #10 x 5/8" washer head machine screws and tighten securely.</p>		<p>Using the chart and diagram above, with tape measure and square, lightly mark mounting plate locations inside the cabinet for the appropriate swingout size ordered.</p>																																			

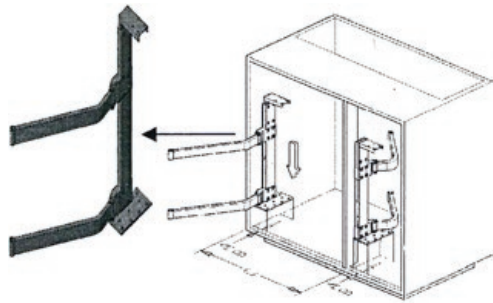
Blind Corner Swingout Installation Instructions for the BCSO Series

hardware
resources™



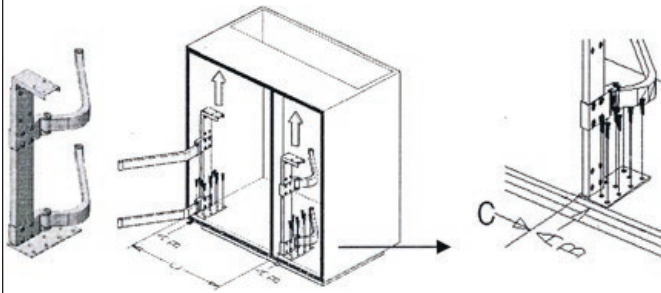
SIZES	A		A		B	C	D		E
	F.O. FRAMED		F.O. FRAMELESS				MIN	MAX	
	MIN	MAX	MIN	MAX					
15"	15"	17"	15-3/4"	17-3/4"	18-1/2"	33-1/2"	20"	29-1/2"	21"
	381	432	400	451	470	851	508	750	533
18"	18"	20"	18-3/4"	20-3/4"	21-1/2"	34-1/4"	20"	29-1/2"	21"
	457	508	476	781	546	870	508	750	533
21"	21"	23"	21-3/4"	23-3/4"	24-1/2"	39-1/4"	20"	29-1/2"	21"
	533	584	552	578	622	997	508	750	533

STEP 6



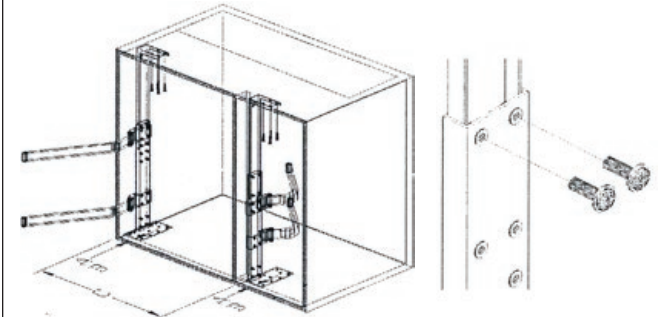
Firmly secure the bottom plate on the complete Tower Arm Frame Assembly in position 1 using (11) #6 x 3/4" flat head Philips wood screws.

STEP 7



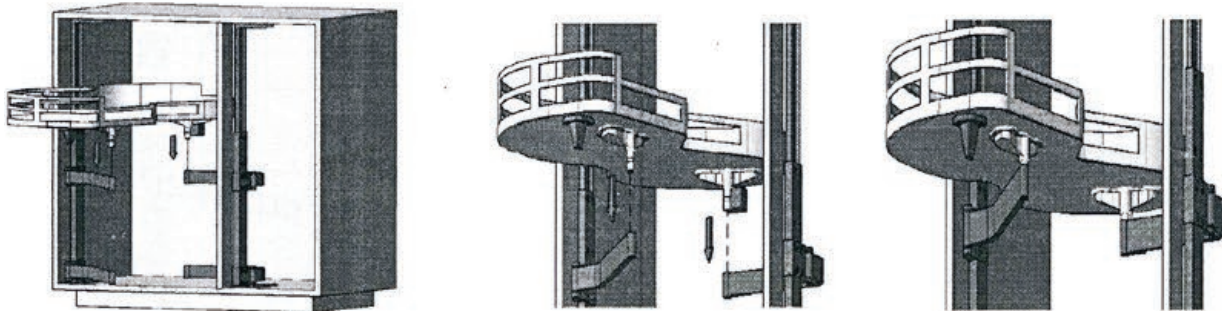
Firmly secure the bottom plate on the complete Axial Arm Frame Assembly in position 2 using (9) #6 x 3/4" flat head Philips wood screws.

STEP 8



Lift the Telescopic Frame Extensions until they are firmly against the bottom of the counter top or cabinet supports and tighten the (2) #10 x 5/8" washer head machine screws in the middle of both frames. Level each frame and mark mounting locations. Then firmly secure using (4) #6 x 5/8" flat head wood screws in the top of each mounting frame bracket.

STEP 9



Position the lower Tower and Axial Swing Arms outside the cabinet and install one (F) Swingout Tray into the pivots in each arm. Repeat for top tray. Test motion of both trays.

